

quickship

your style. your comfort. your health.

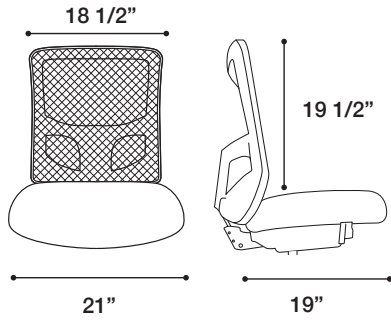


RFM seating

EVOLVE 14314Q-18A *Palette Sumac*

Evolve

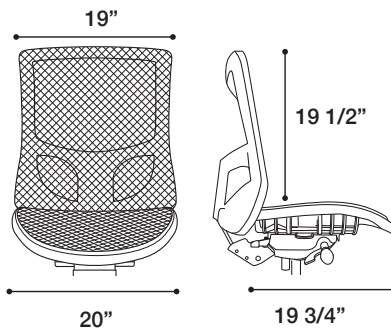
MEDIUM BACK



UPHOLSTERED SEAT



Ⓐ



ALL MESH

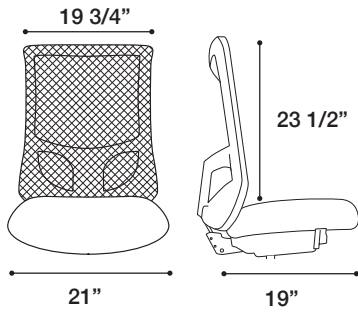


Ⓑ

- A: EVOLVE 15114Q-23A *Input Lime*
- B: EVOLVE 1555Q-25A *Standard black mesh*

Evolve

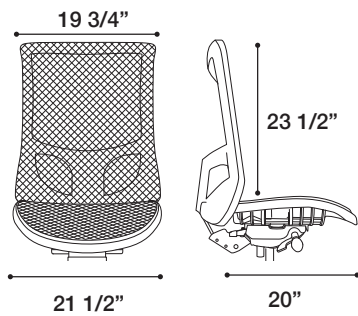
MANAGERS HIGH BACK



UPHOLSTERED SEAT



©



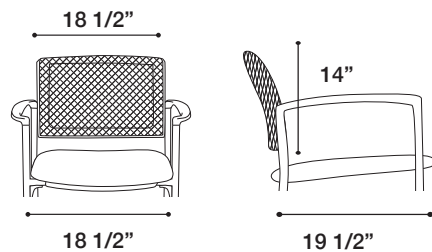
ALL MESH



Ⓓ

Evolve

GUEST



QS MODELS:

	STICK LEG	CASTERS
ARMLESS	9531NAQ	9534NAQ
WITH ARMS	9531AQ	9534AQ



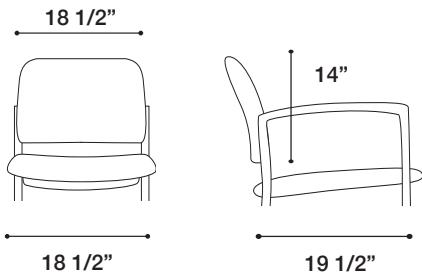
Ⓔ

C: EVOLVE 1535Q-37A *Input Cloud*
 D: EVOLVE 1565Q-25A *Standard black mesh*

E: EVOLVE GUEST 9531NAQ *Shift Steele*

Phoenix

GUEST



Ⓐ

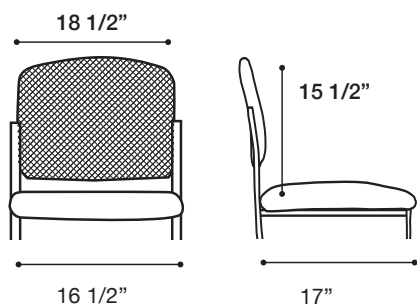
Ⓑ

QS MODELS:

	STICK LEG	CASTERS
ARMLESS	9241NAQ	9244NAQ
WITH ARMS	9241AQ	9244AQ

Link

GUEST



Ⓒ

Ⓓ

QS MODELS:

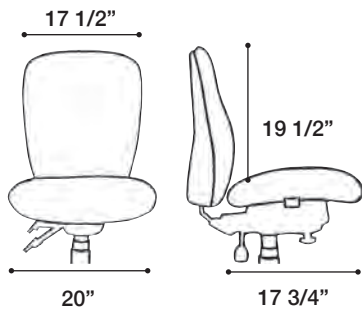
ARMLESS	150NAQ
WITH ARMS	150AQ

A: PHOENIX 9244AQ *Palette Sumac*
 B: PHOENIX 9244NAQ *Palette Birch Bark*

C: LINK GUEST 150AQ *Shift Zephyr*
 D: LINK GUEST 150NAQ *Palette Alder*

Rainier

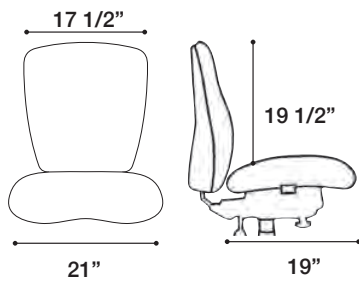
MEDIUM BACK



STANDARD SEAT



Ⓐ



TRACTOR SEAT

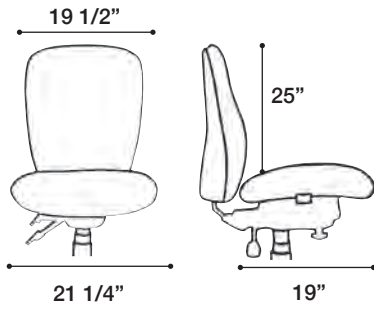


Ⓑ

A: RAINIER R2Q-25A *Emerge Aloe*
B: RAINIER R6Q-25A *Couture Thimble*

Rainier

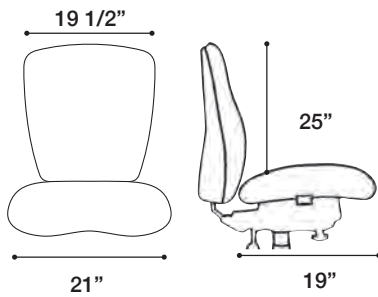
MANAGERS HIGH BACK



STANDARD SEAT



©



TRACTOR SEAT

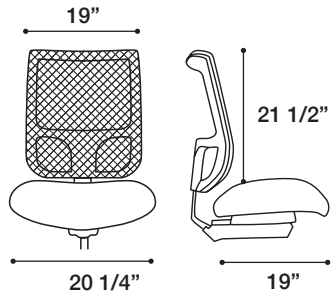


©

C: RAINIER R4Q-25A *Emerge Parchment*
D: RAINIER R8Q-25A *Couture Tailor*

Tech

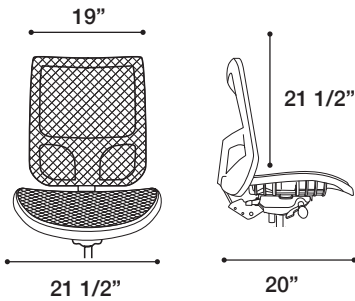
MANAGERS HIGH BACK



UPHOSTERED SEAT



Ⓐ



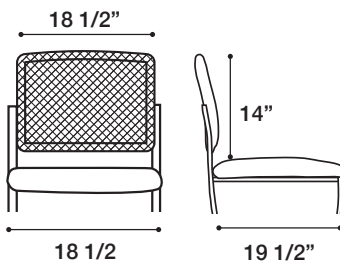
ALL MESH



Ⓑ

Tech

GUEST



QS MODELS:

	STICK LEG	CASTERS
ARMLESS	9431NAQ	9434NAQ
WITH ARMS	9431AQ	9434AQ

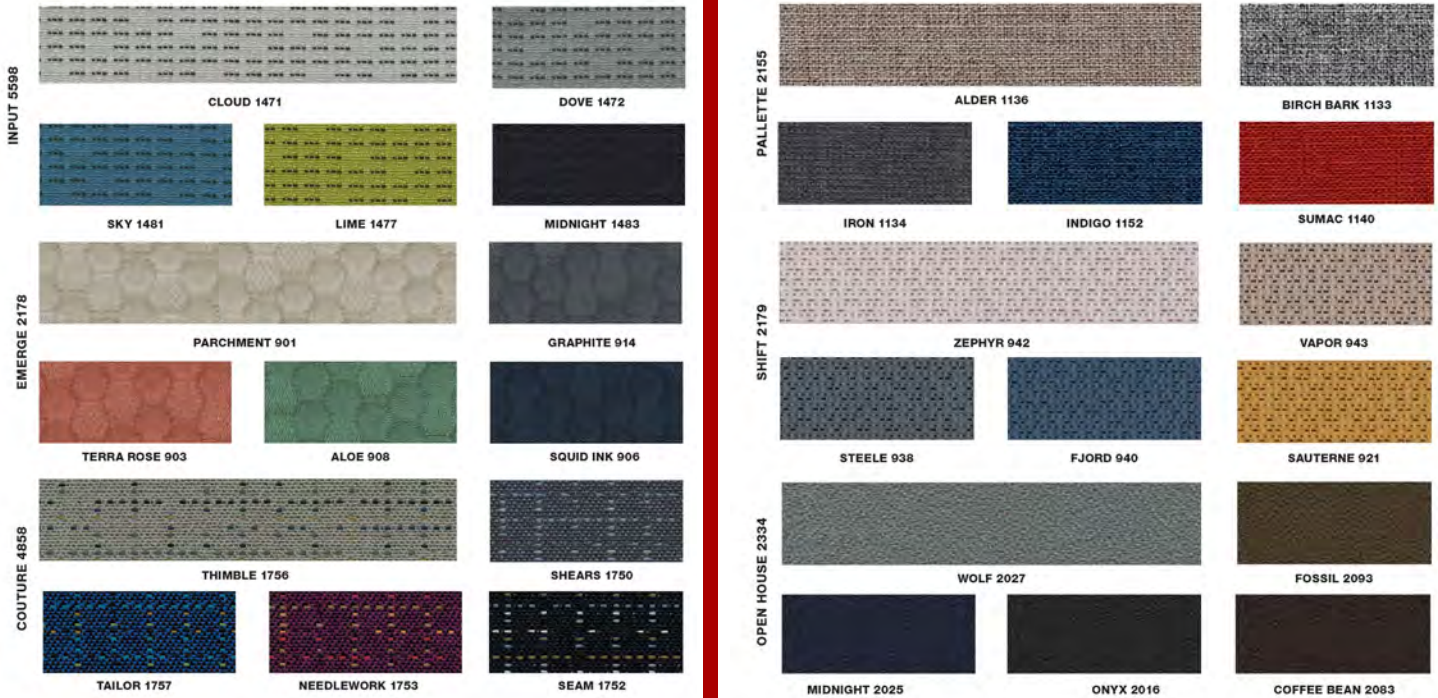


Ⓒ

A: TECH 14314Q-18A *Palette Sumac*
 B: TECH 14514Q-23A *Standard black mesh*

C: TECH GUEST 9431AQ *Input Dove*

Fabrics



For all Quick Ship models and pricing, please refer to our current price list.

Due to the many variations in monitors and browsers, fabric color samples may appear different upon receipt. It is not possible to guarantee the fabric colors will look the same on all computers. We highly recommended that you request a sample from customerservice@rfmseating.com if color is imperative to your project.

Keep in mind that all fabrics can have minimal color variations from the finished product as stated by our manufacturers.

