

# phoenix

your style. your comfort. your health.



**RFM**<sup>®</sup> seating

# stitched to perfection

Sharp lines and stitching throughout, the Phoenix offers form and function. Designed as a full series of executive, task, conference, and bariatric chairs. Coupled with easy to use ergonomic adjustments and seat options. Makes Phoenix a smart choice in any work environment.





Ⓑ



Ⓒ



Ⓓ

## OPTIONS



01A Folding Arm



04A Swing Arm



08A Pivot Arm



018A 360 Arm



25A Vertical/  
Horizontal Arm



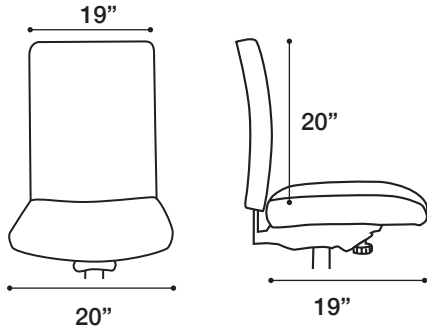
37A Four-Way Arm



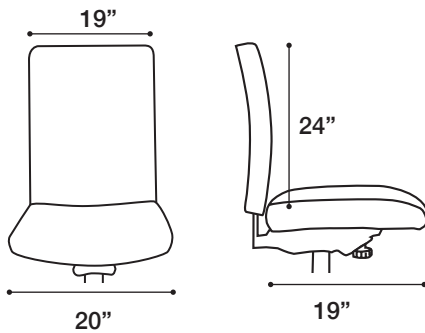
33 Seat Slider

- A:** PHOENIX 24114-23A-22B *Dillon Buff*
- B:** PHOENIX 24314-20A-22B *Dillon Snow*
- C:** PHOENIX 243-09A *Dillon Stratus*
- D:** PHOENIX 24114-23A-22B *Dillon Buff*

# phoenix



**MEDIUM BACK**



**MANAGERS HIGH BACK**

## A good fit for every body

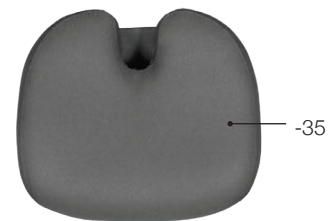
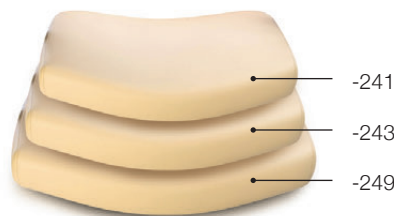
For more than 35 years, RFM Seating has built a reputation for offering workplace seating that focuses on ergonomics, smart style and solid craftsmanship. Based in the Pacific Northwest, RFM Seating offers chairs made to fit the individual with one of the largest selections of options available. RFM Seating's flexibility and commitment to customer service means Phoenix orders ship in just 10 days.

### FEATURES & BENEFITS

- » Multiple control options, advanced synchro, multi-function and enhanced task
- » 27" high hub base
- » Meets CAL 117-2013
- » Adjustable ratchet back standard
- » Seat slider standard
- » Comfortably accommodates up to 300 lbs.
- » Top stitch sewn fabric on seat and back

### SEAT OPTIONS

For added comfort and support, we provide other options, including air lumbar, tailbone cutout, memory foam, and a complete array of seat sizes and shapes, all with quick delivery and a warranty that is the best in the industry.



**TAILBONE CUT-OUT**