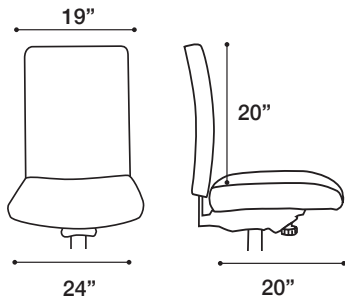


phoenix



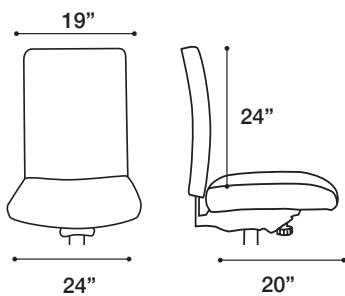
MEDIUM BACK BT21 AND BT22



Top stitch sewn fabric on back

Four seat sizes

(A)



MANAGERS HIGH BACK BT23 AND BT24



Top stitch sewn fabric on back

Four seat sizes

(B)

FEATURES & BENEFITS

- » Comfortably accommodates up to 400 lbs
- » Meets CAL 117-2013
- » Heavy-duty base and casters

A: BT PHOENIX BT22-B-25A *Bangle Cork*

B: BT PHOENIX BT24-B-25A *Dillon Java*